

A7 PCB
8 - 12.4 GHz YIG Driver

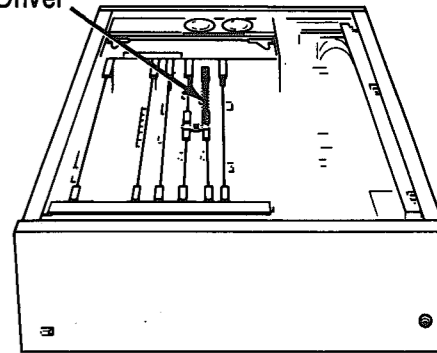
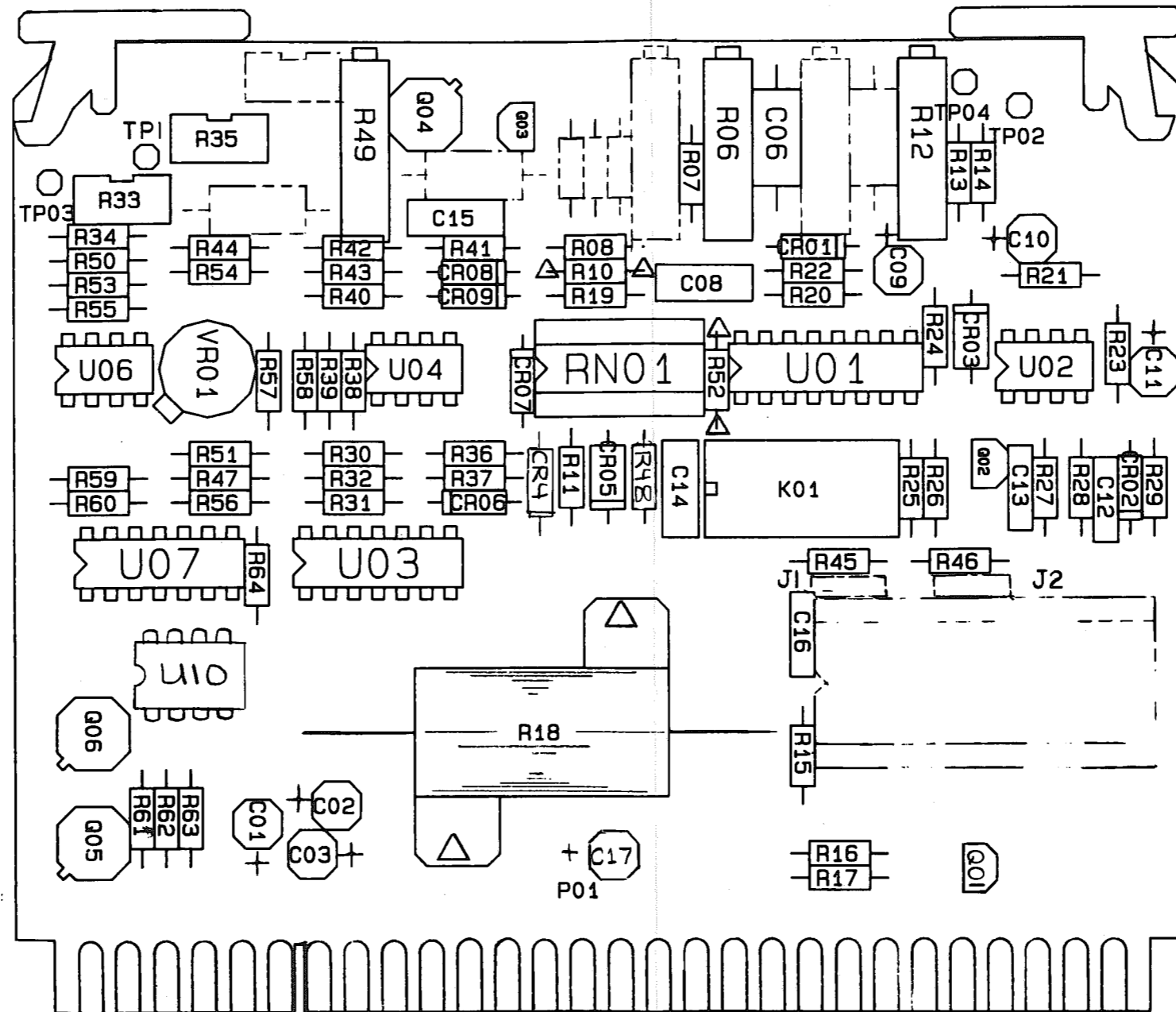


Figure 4F-10. A7 YIG Oscillator PCB Parts Location Diagram (D32107-8, REV H)